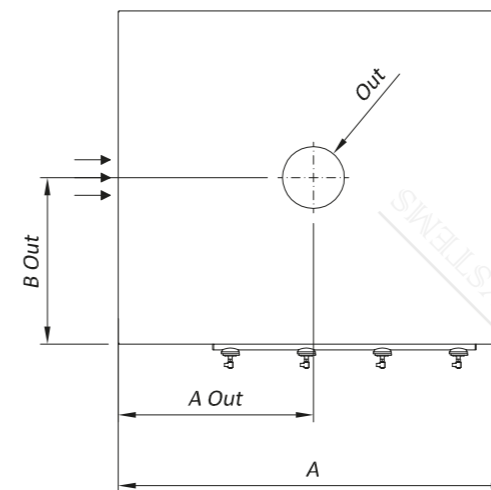
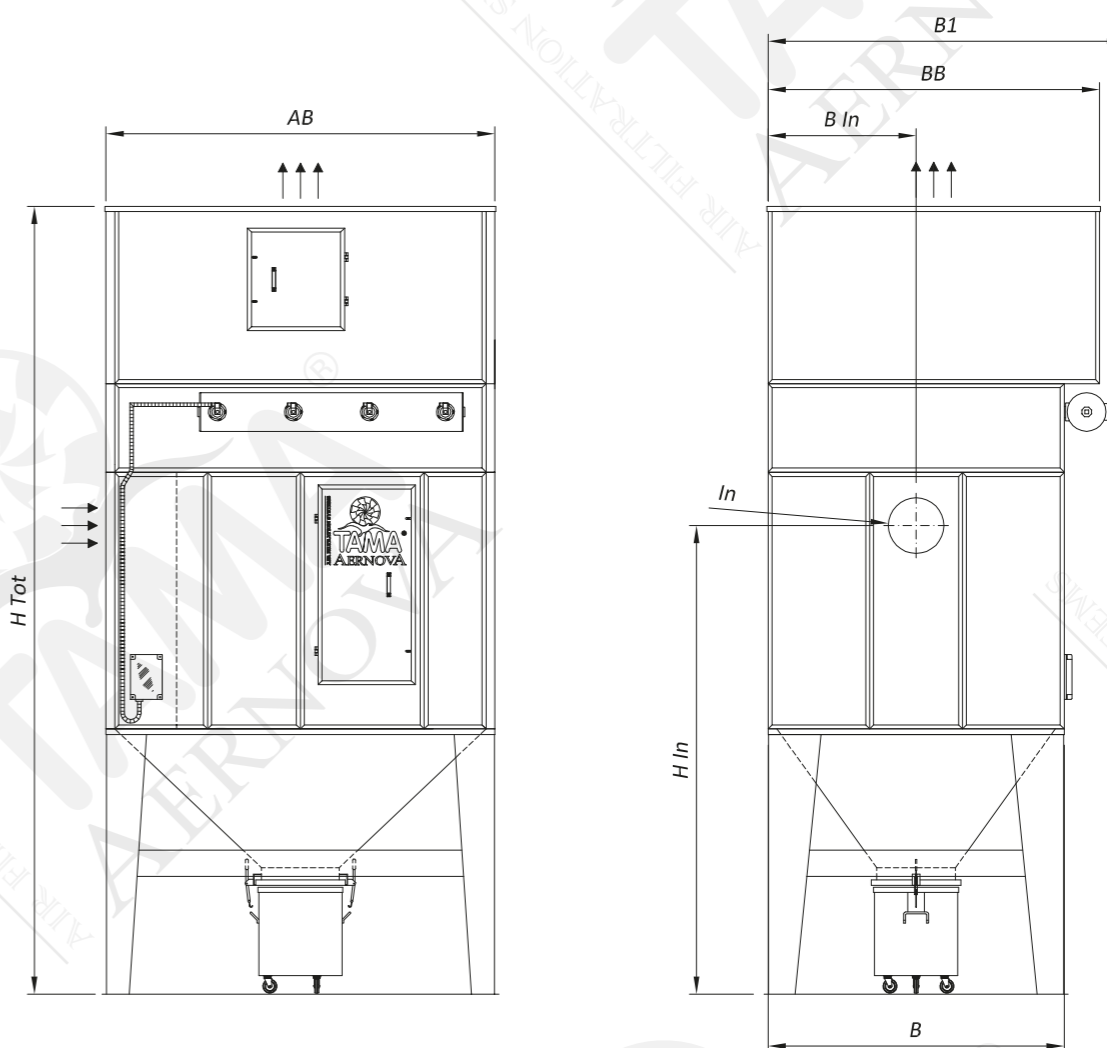


TECHNICAL SPECIFICATIONS					DIMENSIONS												
Model	Filtering surface	Number of filtering elements	Number of cleaning valves	Compressed air consumption	A	B	B1	AB*	BB*	H Tot	In	B In	H In	Out	A Out*	B Out*	Weight
	[m2]				[mm]	[mm]	[mm]	[mm]	[mm]	[mm]	[mm]	[mm]	[mm]	[mm]	[mm]	[mm]	
CFB145-02x0207	10	4	2	87	1180	700	1020	1180	950	3058	Ø120	350	1540	Ø150	590	475	525
CFB145-02x0210	15	4	2	87	1180	700	1020	1180	1100	3458	Ø150	350	1825	Ø180	590	550	575
CFB145-02x0212	18	4	2	87	1180	700	1020	1180	1100	3658	Ø150	350	2025	Ø200	590	550	600
CFB145-02x0407	21	8	2	87	1180	1180	1500	1180	1180	3158	Ø180	350	1510	Ø220	590	590	725
CFB145-02x0410	30	8	2	87	1180	1180	1500	1180	1180	3558	Ø200	350	1800	Ø280	590	590	775
CFB145-02x0412	37	8	2	87	1180	1180	1500	1180	1180	3758	Ø220	350	1990	Ø300	590	590	800
CFB145-03x0307	24	9	3	87	1420	940	1260	1420	940	3458	Ø180	290	1810	Ø220	710	470	700
CFB145-03x0310	34	9	3	87	1420	940	1260	1420	1250	3858	Ø220	290	2090	Ø280	710	625	800
CFB145-03x0312	41	9	3	87	1420	940	1260	1420	1250	4058	Ø250	290	2275	Ø315	710	625	850
CFB145-03x0407	31	12	3	87	1420	1180	1500	1420	1180	3558	Ø200	350	1800	Ø280	710	590	825
CFB145-03x0410	45	12	3	87	1420	1180	1500	1420	1180	3858	Ø250	350	2075	Ø315	710	590	900
CFB145-03x0412	55	12	3	87	1420	1180	1500	1420	1180	4258	Ø280	350	2260	Ø350	710	590	975
CFB145-04x0407	42	16	4	87	1660	1180	1500	1660	1180	3758	Ø250	350	1975	Ø315	830	590	925
CFB145-04x0410	61	16	4	87	1660	1180	1500	1660	1180	4258	Ø300	350	2250	Ø380	830	590	1025
CFB145-04x0412	73	16	4	87	1660	1180	1500	1660	1180	4458	Ø315	350	2442	Ø420	830	590	1075
CFB145-04x0507	52	20	4	217	1660	1420	1780	1660	1420	3758	Ø280	410	1960	Ø350	830	710	1125
CFB145-04x0510	76	20	4	217	1660	1420	1780	1660	1420	4258	Ø315	410	2242	Ø420	830	710	1225
CFB145-04x0512	91	20	4	217	1660	1420	1780	1660	1420	4458	Ø350	410	2425	Ø450	830	710	1275
CFB145-05x0507	66	25	5	217	1900	1420	1780	1900	1420	3958	Ø300	410	1950	Ø400	950	710	1250
CFB145-05x0510	95	25	5	217	1900	1420	1780	1900	1420	4258	Ø350	410	2225	Ø480	950	710	1350
CFB145-05x0512	114	25	5	217	1900	1420	1780	1900	1420	4458	Ø400	410	2400	Ø520	950	710	1400
CFB145-05x0607	79	30	5	217	1900	1660	2020	1900	1660	3958	Ø315	830	1942	Ø420	950	830	1400
CFB145-05x0610	114	30	5	217	1900	1660	2020	1900	1660	4258	Ø400	830	2200	Ø520	950	830	1500
CFB145-05x0612	137	30	5	217	1900	1660	2020	1900	1660	4558	Ø450	830	2375	Ø580	950	830	1575
CFB325-02x0207	33-43***	4	2	217	1390	960	1320	1390	960	3758	Ø250	265	1975	Ø315	695	480	900
CFB325-02x0210	48-63***	4	2	217	1390	960	1320	1390	1400	4258	Ø300	265	2250	Ø380	695	700	1025
CFB325-02x0212	58-76***	4	2	217	1390	960	1320	1390	1400	4458	Ø315	265	2442	Ø420	695	700	1075
CFB325-03x0207	50-65***	6	3	217	1820	960	1320	1820	1400	3958	Ø300	265	1950	Ø380	910	700	1100
CFB325-03x0210	72-94***	6	3	217	1820	960	1320	1820	1500	4258	350 x 300	265	2250	Ø480	910	750	1200
CFB325-03x0212	87-113***	6	3	217	1820	960	1320	1820	1550	4458	350 x 400	265	2400	Ø520	910	775	1250
CFB325-03x0307	75-98***	9	3	217	1820	1390	1750	1820	1390	3958	Ø380	373	1910	Ø480	910	695	1300
CFB325-03x0310	109-141***	9	3	217	1820	1390	1750	1820	1390	4358	Ø450	373	2175	Ø580	910	695	1425
CFB325-03x0312	131-170***	9	3	217	1820	1390	1750	1820	1390	4658	Ø480	373	2360	Ø630	910	695	1500
CFB325-04x0307	100-130***	12	4	217	2250	1390	1750	2250	1390	4258	Ø420	373	2090	Ø550	1125	695	1500
CFB325-04x0310	145-188***	12	4	217	2250	1390	1750	2250	1390	4758	Ø520	373	2340	Ø650	1125	695	1625
CFB325-04x0312	175-227***	12	4	217	2250	1390	1750	2250	1390	4958	350 x 750	373	2425	Ø710	1125	695	1700
CFB325-04x0407	134-173***	16	4	347	2250	1820	2220	2250	1820	4358	Ø500	480	2050	Ø630	1125	910	1950
CFB325-04x0410	193-251***	16	4	347	2250	1820	2220	2250	1820	4758	Ø600	480	2300	Ø750	1125	910	2075
CFB325-04x0412	233-302***	16	4	347	2250	1820	2220	2250	1820	5058	Ø650	480	2475	Ø850	1125	910	2200



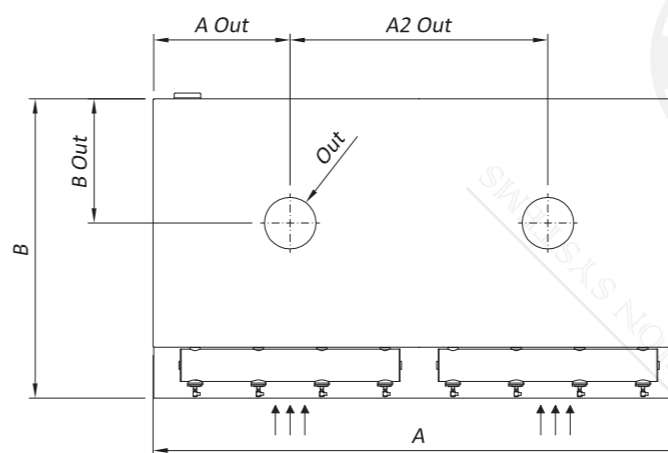
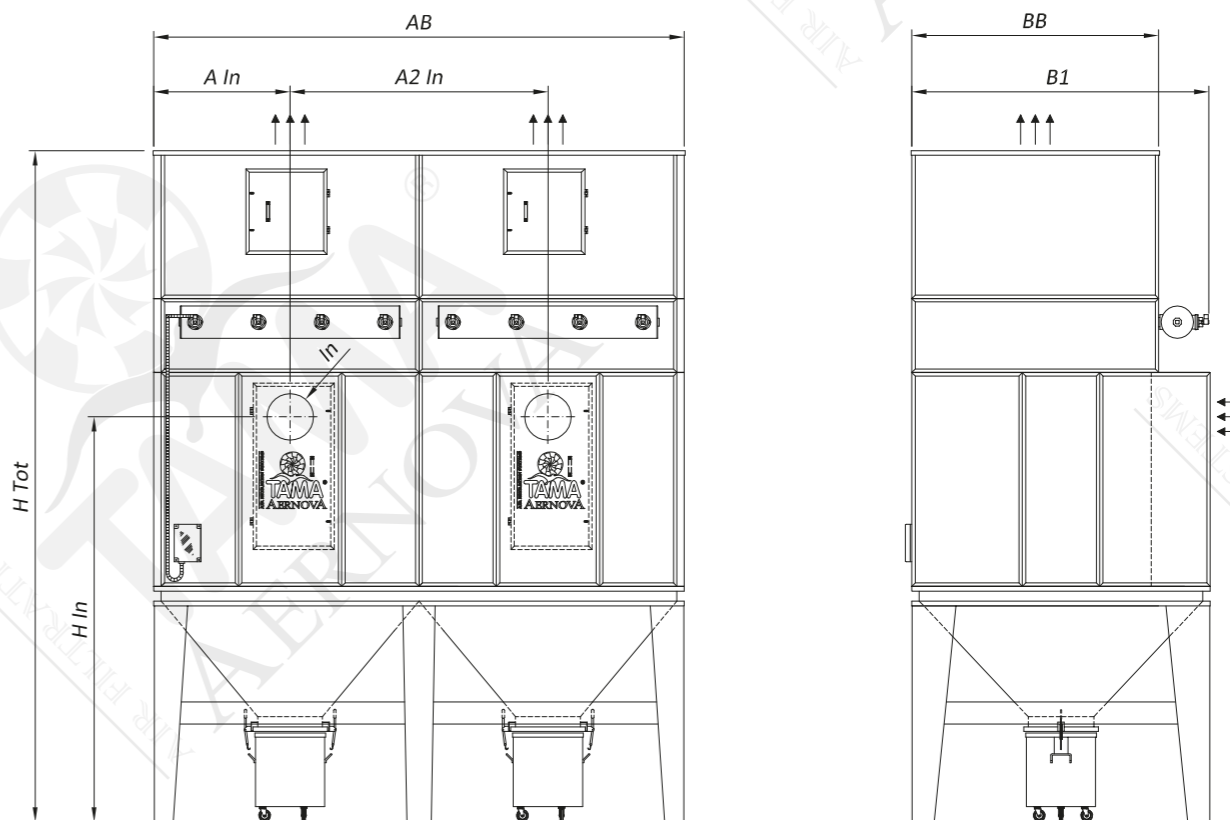
TECHNICAL SPECIFICATIONS		
Max working negative pressure	Pa	5000
Working Temperature	°C	-10<T<60
Electric control panel feeding	230 V AC 50Hz	
Cartridge cleaning system	pulse-jet	
Compressed air tank working pressure	bar	5
Average level of sound pressure LpA_1.5 m (UNI EN ISO 3746:1997)*	dB(A)	<80

\* The level of sound pressure is affected by the background noise, the reverberation of the environment, the presence of other sound sources and the positioning of the machine near reflecting surfaces. In the installations common conditions it is necessary to use corrective coefficients. This value depends also from the level of sound pressure of the fan.

\* Dimensions referred to fan box  
\*\*\* Filtering surface for cartridges with 175 pleats

TECHNICAL SPECIFICATIONS						DIMENSIONS														
Model	Filtering surface	Number of filtering elements	Number of hoppers	Number of cleaning valves	Compressed air consumption	A	B	B1	AB*	BB*	H Tot	In	A In	A2 In	H In	Out	A Out*	A2 Out*	B Out*	Weight
	[m <sup>2</sup> ]	[-]	[-]	[-]	[l/activ]	[mm]	[mm]	[mm]	[mm]	[mm]	[mm]	[mm]	[mm]	[mm]	[mm]	[mm]	[mm]	[mm]	[mm]	[kg]
CFB145-08x0407	84	32	1	8	217	2140	1660	1540	2140	1180	4058	1 x (Ø350)	1070-1070*	-	2025	1x(Ø450)	1070	-	590	1300
CFB145-08x0410	121	32	1	8	217	2140	1660	1540	2140	1550	4358	1 x (Ø420)	1070*	-	2290	1x(Ø520)	1070	-	775	1450
CFB145-08x0412	146	32	1	8	217	2140	1660	1540	2140	1550	4658	1 x (Ø450)	1070*	-	2475	1x(Ø580)	1070	-	775	1525
CFB145-08x0507	105	40	1	8	217	2140	1900	1780	2140	1420	4058	1 x (Ø380)	1070	-	2010	1x(Ø500)	1070	-	710	1500
CFB145-08x0510	152	40	1	8	217	2140	1900	1780	2140	1420	4458	1 x (Ø450)	1070	-	2275	1x(Ø600)	1070	-	710	1625
CFB145-08x0512	183	40	1	8	217	2140	1900	1780	2140	1420	4858	1 x (Ø500)	1070	-	2450	1x(Ø650)	1070	-	710	1725
CFB145-08x0607	126	48	1	8	217	2140	2140	2020	2140	1660	4058	1 x (Ø420)	1070	-	1990	1x(Ø550)	1070	-	830	1575
CFB145-08x0610	182	48	1	8	217	2140	2140	2020	2140	1660	4658	1 x (Ø500)	1070	-	2250	1x(Ø650)	1070	-	830	1750
CFB145-08x0612	219	48	1	8	217	2140	2140	2020	2140	1660	4858	1 x (Ø550)	1070	-	2425	1x(Ø710)	1070	-	830	1825
CFB145-12x0507	157	60	2	12	217	3220	1900	1780	3220	1420	4158	2 x (Ø315)	1070	1080	2042	2x(Ø420)	1070	1080	710	2175
CFB145-12x0510	227	60	2	12	217	3220	1900	1780	3220	1420	4658	2 x (Ø400)	1070-1070*	1080	2300	2x(Ø520)	1070	1080	710	2350
CFB145-12x0512	274	60	2	12	217	3220	1900	1780	3220	1850	4958	2 x (Ø450)	1070*	1080	2475	2x(Ø580)	1070	1080	925	2600
CFB145-16x0407	168	64	2	16	87	4180	1660	1500	4180	1550	4358	2 x (Ø350)	1310*	1560	2125	2x(Ø450)	1310	1560	775	2425
CFB145-16x0410	243	64	2	16	87	4180	1660	1500	4180	1700	4758	2 x (Ø420)	1310*	1560	2390	2x(Ø520)	1310	1560	850	2625
CFB145-16x0412	292	64	2	16	87	4180	1660	1500	4180	1850	5058	2 x (Ø450)	1310*	1560	2575	2x(Ø580)	1310	1560	925	2825
CFB145-14x0507	183	70	2	14	217	3700	1900	1780	3700	1420	4358	2 x (Ø350)	1190	1320	2025	2x(Ø450)	1190	1320	710	2450
CFB145-14x0510	265	70	2	14	217	3700	1900	1780	3700	1850	4758	2 x (Ø420)	1190*	1320	2290	2x(Ø550)	1190	1320	925	2725
CFB145-14x0512	320	70	2	14	217	3700	1900	1780	3700	1850	4958	2 x (Ø480)	1190*	1320	2460	2x(Ø600)	1190	1320	925	2850
CFB145-12x0607	189	72	2	12	217	3220	2140	2020	3220	1660	4458	2 x (Ø350)	1070	1080	2125	2x(Ø480)	1070	1080	830	2375
CFB145-12x0610	273	72	2	12	217	3220	2140	2020	3220	1660	4858	2 x (Ø450)	1070	1080	2375	2x(Ø550)	1070	1080	830	2550
CFB145-12x0612	329	72	2	12	217	3220	2140	2020	3220	1660	4858	2 x (Ø480)	1070	1080	2560	2x(Ø630)	1070	1080	830	2625
CFB145-16x0507	210	80	2	16	217	4180	1900	1780	4180	1420	4458	2 x (Ø380)	1310-1310*	1560	2110	2x(Ø500)	1310	1560	710	2700
CFB145-16x0510	303	80	2	16	217	4180	1900	1780	4180	1850	4858	2 x (Ø450)	1310*	1560	2375	2x(Ø600)	1310	1560	925	3000
CFB145-16x0512	366	80	2	16	217	4180	1900	1780	4180	1420	4958	2 x (Ø500)	1310	1560	2550	2x(Ø650)	1310	1560	710	3000
CFB145-14x0607	220	84	2	14	217	3700	2140	2020	3700	1660	4458	2 x (Ø400)	1190	1320	2100	2x(Ø500)	1190	1320	830	2625
CFB145-14x0610	318	84	2	14	217	3700	2140	2020	3700	1660	4858	2 x (Ø480)	1190	1320	2360	2x(Ø600)	1190	1320	830	2800
CFB145-14x0612	384	84	2	14	217	3700	2140	2020	3700	1660	4958	2 x (350 x 650)	1190	1320	2475	2x(Ø680)	1190	1320	830	2925
CFB145-16x0607	252	96	2	16	217	4180	2140	2020	4180	1660	4458	2 x (Ø420)	1310	1560	2090	2x(Ø550)	1310	1560	830	2850
CFB145-16x0610	364	96	2	16	217	4180	2140	2020	4180	1660	4758	2 x (Ø500)	1310	1560	2350	2x(Ø650)	1310	1560	830	3025
CFB145-16x0612	439	96	2	16	217	4180	2140	2020	4180	1660	4958	2 x (Ø550)	1310	1560	2525	2x(Ø710)	1310	1560	830	3175
CFB145-20x0507	262	100	2	20	217	5140	1900	1780	5140	1700	4358	2 x (Ø420)	1790*	1560	1990	2x(Ø550)	1790	1560	850	3225
CFB145-20x0510	379	100	2	20	217	5140	1900	1780	5140	1420	4658	2 x (Ø520)	1790	1560	2240	2x(Ø680)	1790	1560	710	3300
CFB145-20x0512	457	100	2	20	217	5140	1900	1780	5140	1700	4858	2 x (Ø580)	1790*	1560	2410	2x(Ø750)	1790	1560	850	3575
CFB325-04x0207	67-87***	8	1	4	217	1820	1390	1320	1820	1500	3958	1 x (Ø350)	910*	-	1925	1x(Ø450)	910	-	750	1300
CFB325-04x0210	97-125***	8	1	4	217	1820	1390	1320	1820	1550	4258	1 x (Ø420)	910*	-	2190	1x(Ø550)	910	-	775	1350
CFB325-04x0212	117-151***	8	1	4	217	1820	1390	1320	1820	1550	4558	1 x (Ø450)	910*	-	2375	1x(Ø600)	910	-	775	1425
CFB325-05x0307	125-163***	15	1	5	217	2250	1820	1750	2250	1390	4358	1 x (Ø480)	1125	-	2060	1x(Ø630)	1125	-	695	1675
CFB325-05x0310	181-235***	15	1	5	217	2250	1820	1750	2250	1390	4758	1 x (Ø580)	1125-1125*	-	2310	1x(Ø750)	1125	-	695	1775
CFB325-05x0312	219-283***	15	1	5	217	2250	1820	1750	2250	1850	5058	1 x (Ø630)	1125*	-	2485	1x(Ø800)	1125	-	925	1975
CFB325-05x0407	167-217***	20	1	5	347	2250	2250	2220	2250	1820	4458	1 x (Ø550)	1125	-	2025	1x(Ø710)	1125	-	910	2025
CFB325-05x0410	242-313***	20	1	5	347	2250	2250	2220	2250	1820	4858	1 x (Ø650)	1125	-	2275	1x(Ø850)	1125	-	910	2150
CFB325-05x0412	291-378***	20	1	5	347	2250	2250	2220	2500	1820	4958	1 x (Ø710)	1250*	-	2445	1x(Ø950)	1125	-	910	2275
CFB325-06x0407	201-260***	24	2	6	347	2680	2250	2220	2680	1820	4458	2 x (Ø420)	480	1720	2090	2x(Ø550)	480	1720	910	2425
CFB325-06x0410	290-376***	24	2	6	347	2680	2250	2220	2680	1820	4758	2 x (Ø520)	480	1720	2340	2x(Ø650)	480	1720	910	2550
CFB325-06x0412	350-453***	24	2	6	347	2680	2250	2220	2680	1820	4958	2 x (Ø550)	480-515*	1720	2525	2x(Ø710)	480	1720	910	2650
CFB325-08x0407	268-347***	32	2	8	347	3540	2250	2220	3540	1820	4358	2 x (Ø500)	1340	860	2050	2x(Ø630)	1340	860	910	2825
CFB325-08x0410	387-501***	32	2	8	347	3540	2250	2220	3540	1820	4758	2 x (Ø600)	1340	860	2300	2x(Ø750)	1340	860	910	3000
CFB325-08x0412	466-604***	32	2	8	347	3540	2250	2220	3540	1820	5058	2 x (Ø650)	1340	860	2475	2x(Ø850)	1340	860	910	3175
CFB325-12x0407	401-520***	48	3	12	347	5260	2250	2220	5260	1820	4458	3 x (Ø500)	1125	1505	2050	3x(Ø630)	1125	1505	910	3900
CFB325-12x0410	580-752***	48	3	12	347	5260	2250	2220	5260	1820	4758	3 x (Ø600)	1125	1505	2300	3x(Ø750)	1125	1505	910	4100
CFB325-12x0412	699-906***	48	3	12	347	5260	2250	2220	5260	1820	5058	3 x (Ø650)	1125	1505	2475	3x(Ø850)	1125	1505	910	4350

\*\*\* Filtering surface for cartridges with 175 pleats



TECHNICAL SPECIFICATIONS		
Max working negative pressure	Pa	5000
Working Temperature	°C	-10<T<60
Electric control panel feeding	230 V AC 50Hz	
Cartridge cleaning system	pulse-jet	
Compressed air tank working pressure	bar	5
Average level of sound pressure LpA_1.5 m (UNI EN ISO 3746:1997)*	dB(A)	<80

\* The level of sound pressure is affected by the background noise, the reverberation of the environment, the presence of other sound sources and the positioning of the machine near reflecting surfaces. In the installations common conditions it is necessary to use corrective coefficients. This value depends also from the level of sound pressure of the fan.